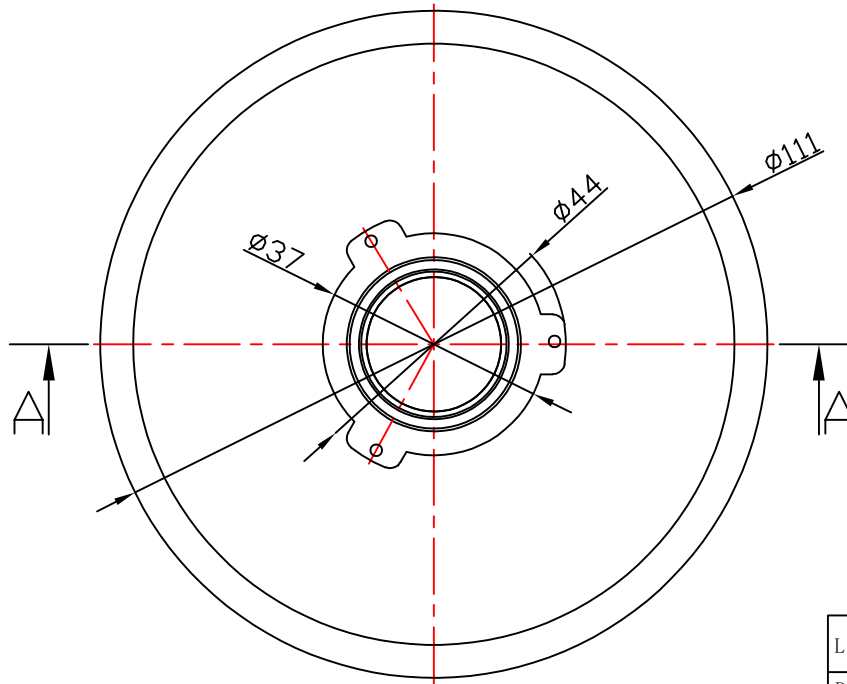
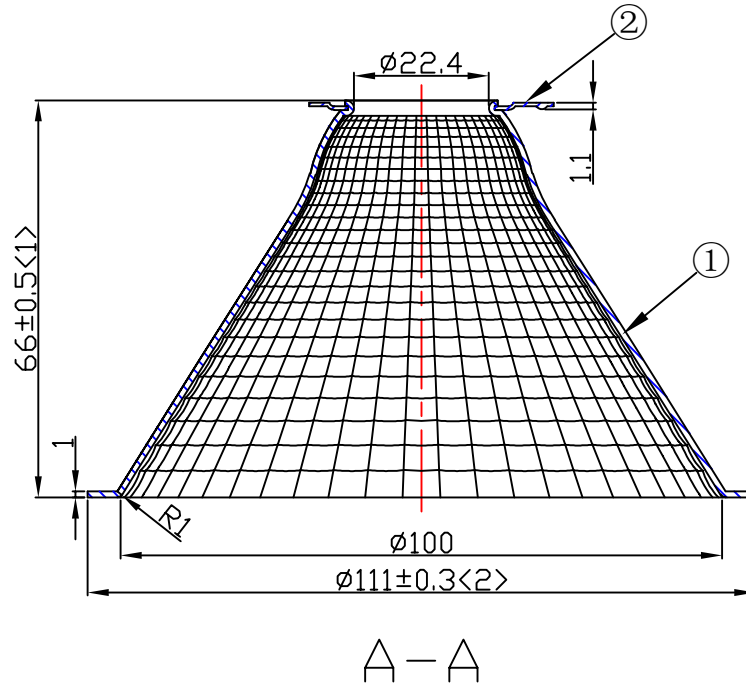


Product bill of material

Serial number	material name	Masterial number	NO.	Describe
①	4-2317-A	94.04.2317.000	1	Material:1.0 1090AL
②	020249	97.76.249.00	1	Material:不锈钢304

table for unmentioned tolerance in the drawing (unit: mm)			punch angle tolerance in the drawing (unit:degree)		
0-5	5-30	30-120	0-10	10-50	50-120
±0.15	±0.2	±0.5	±1°	±0.5°	±0.3°
120-250	250-400	400-700	120-250	250-360	360 above
±0.8	±1.5	±2	±0.2°	±0.166°	±0.083°



Light Source	XICATO XTM 19MM
Plastic Holder	
Metal Adaptar	
Design Angle	$60 \pm 5^\circ$
Measured Angle	61.1°

				Nata[®] NATA Lighting Co.,Ltd			
Mark	Amended Times	Amended Content		Signature	Amended Date	Customer Item	
Control Version	AO	Design Version	K0	Client Version		Customer Code	NT
Designer		Drawing by		Proportion	1:1	Product Number	
Technology		Auditor		View		Product Name	4-1985-M
Approval		Date	2018.01.10	Page	Total Page		